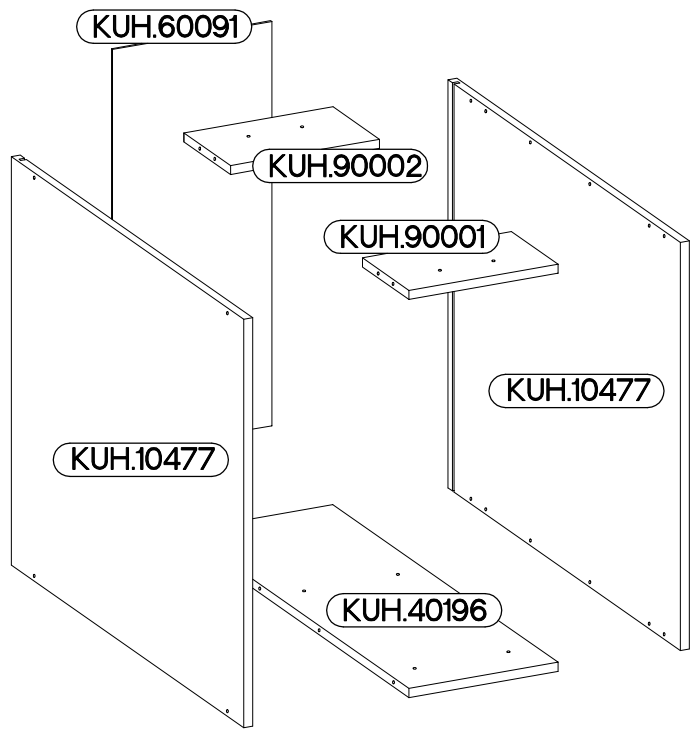
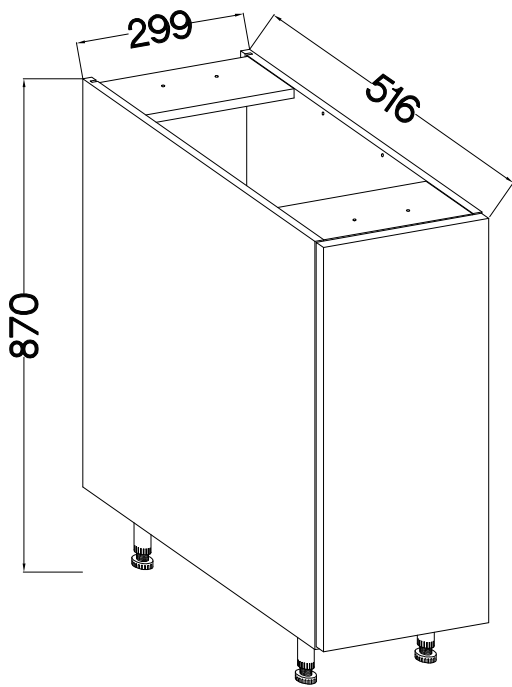
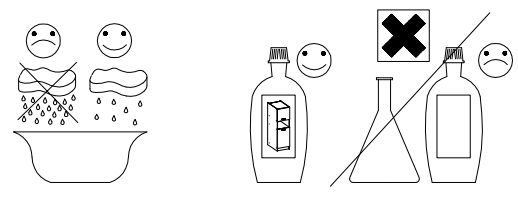


30 D CARGO BB



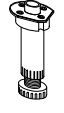

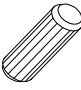
Ersatzteil Nummer	Dimension
KUH.10477 x2	720x500x16
KUH.40196	267x485x16
KUH.90001	267x100x16
KUH.90002	267x100x16
KUH.60091	713x285x2,5

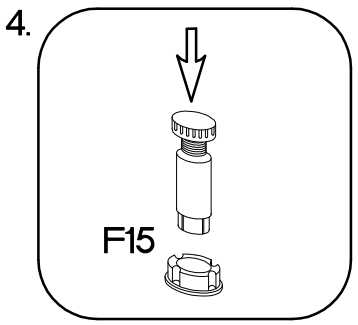
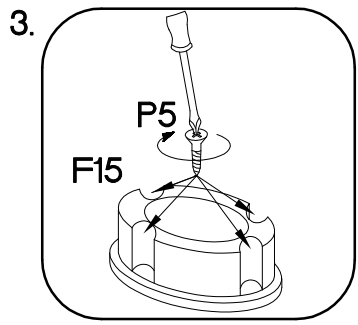
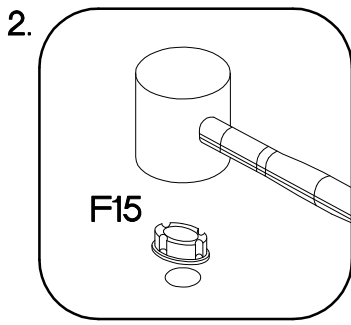
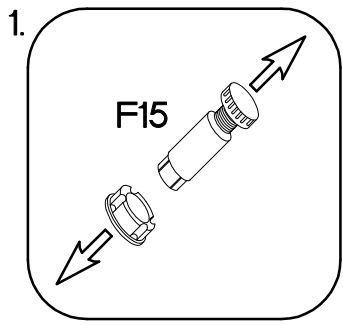
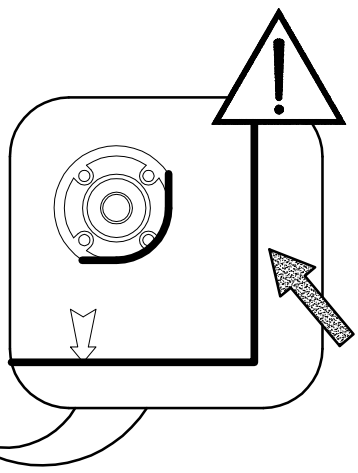
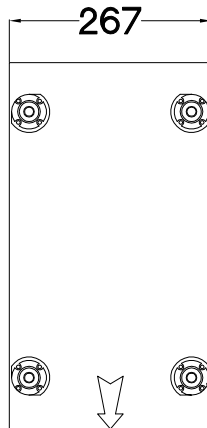
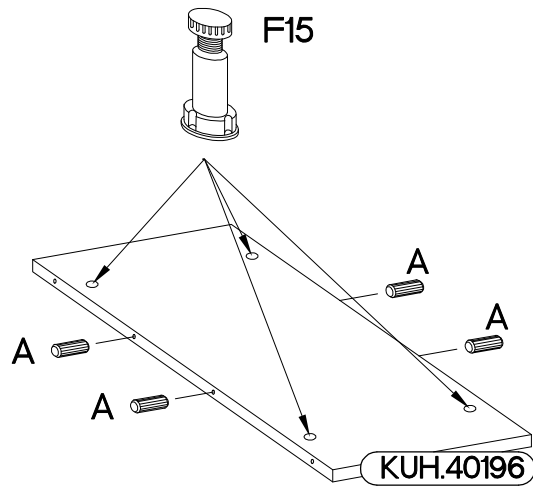
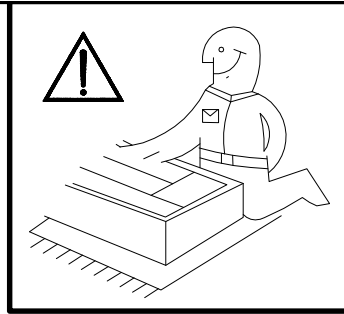
$\pm 8 \times 30 \text{mm}$	6,4 x 50mm
A	B
8	8

E1	F16	F15 L=135-170cm	O	$\pm 3.5 \times 13 \text{mm}$	$\pm 3.0 \times 20 \text{mm}$	$\pm 4.0 \times 35 \text{mm}$
8	2	4	1	20	8-10	4

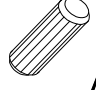
ISM-KUH-01795

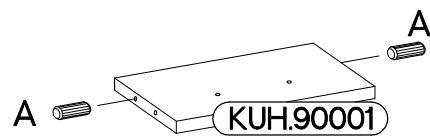
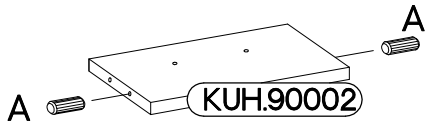
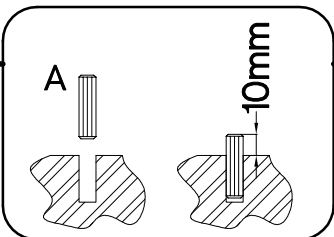
1

L=135-170cm  F15 4	+3.5x13mm  P5 16	+8x30mm  A 4
---	---	---

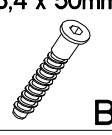
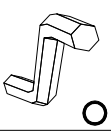
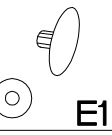


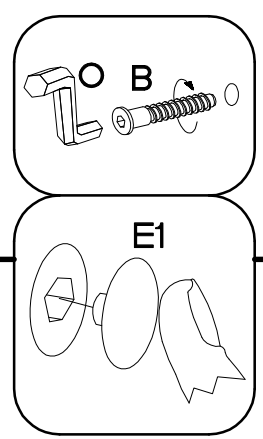
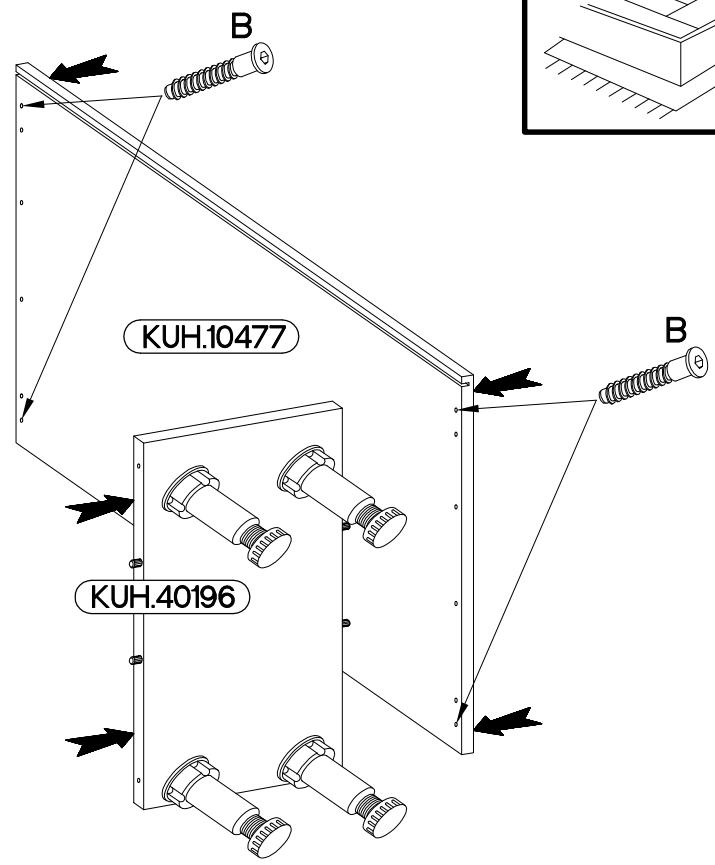
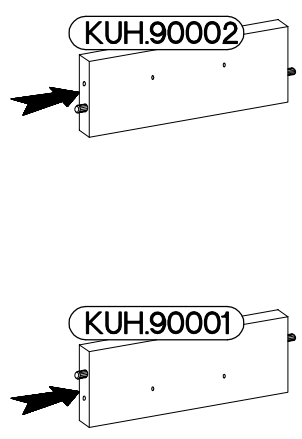
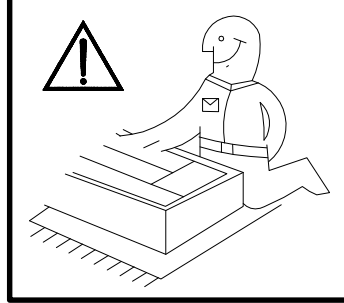
2

+8x30mm  A 4
--

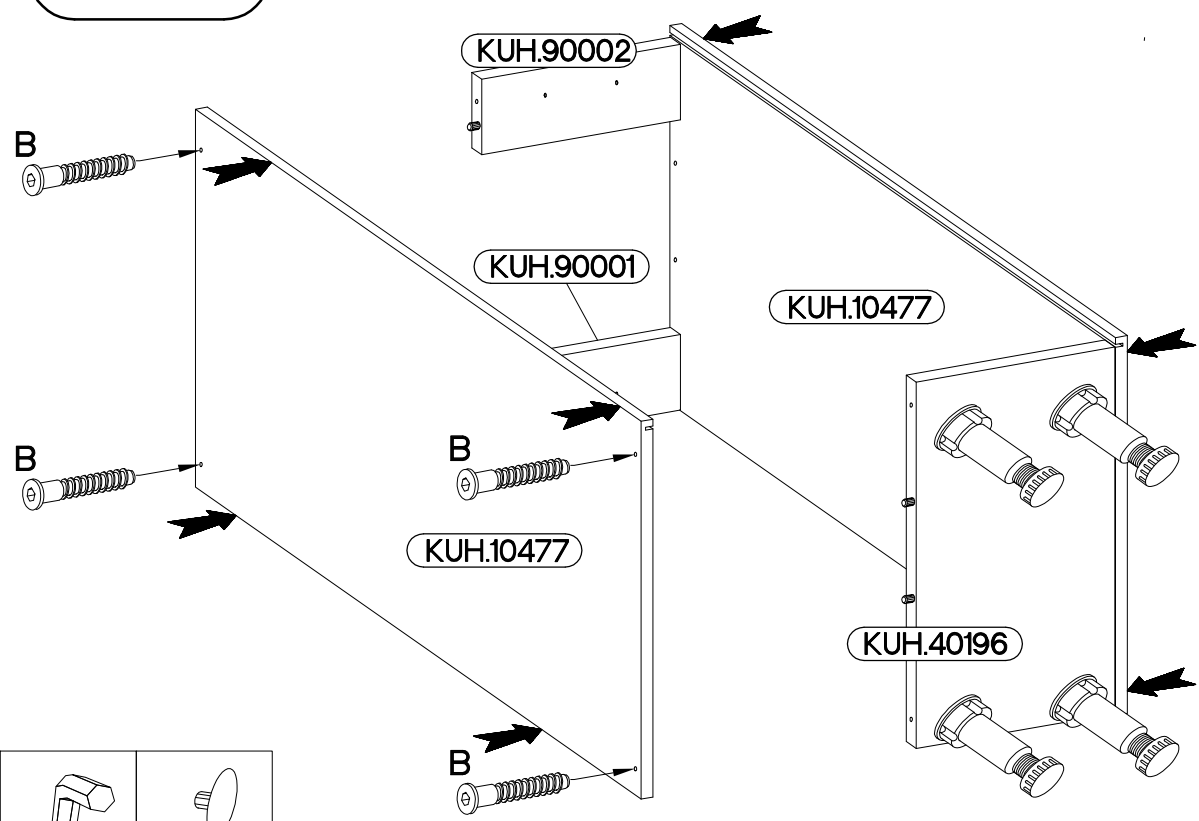


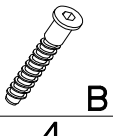
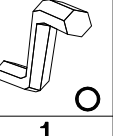
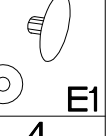
3

6,4 x 50mm		
		
B	O	E1
4	1	4



4



6,4 x 50mm		
		
B	O	E1
4	1	4

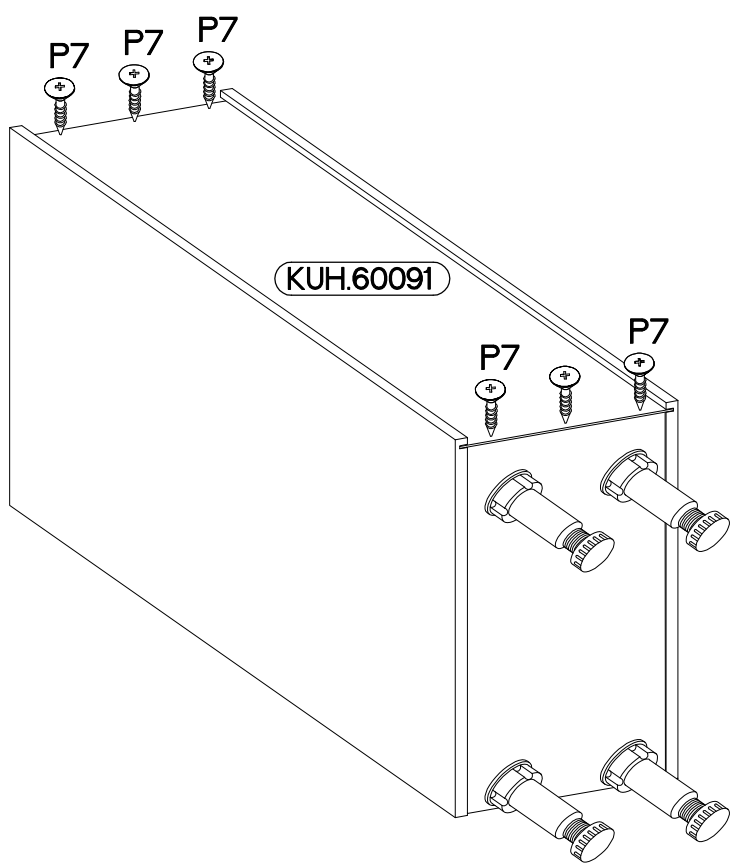
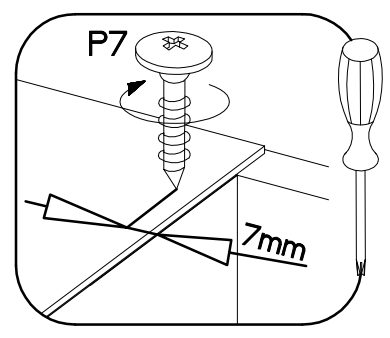
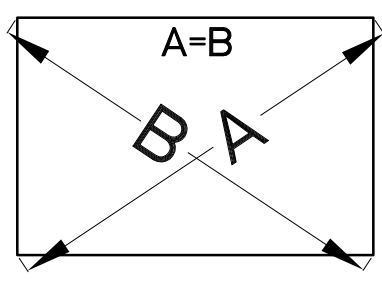
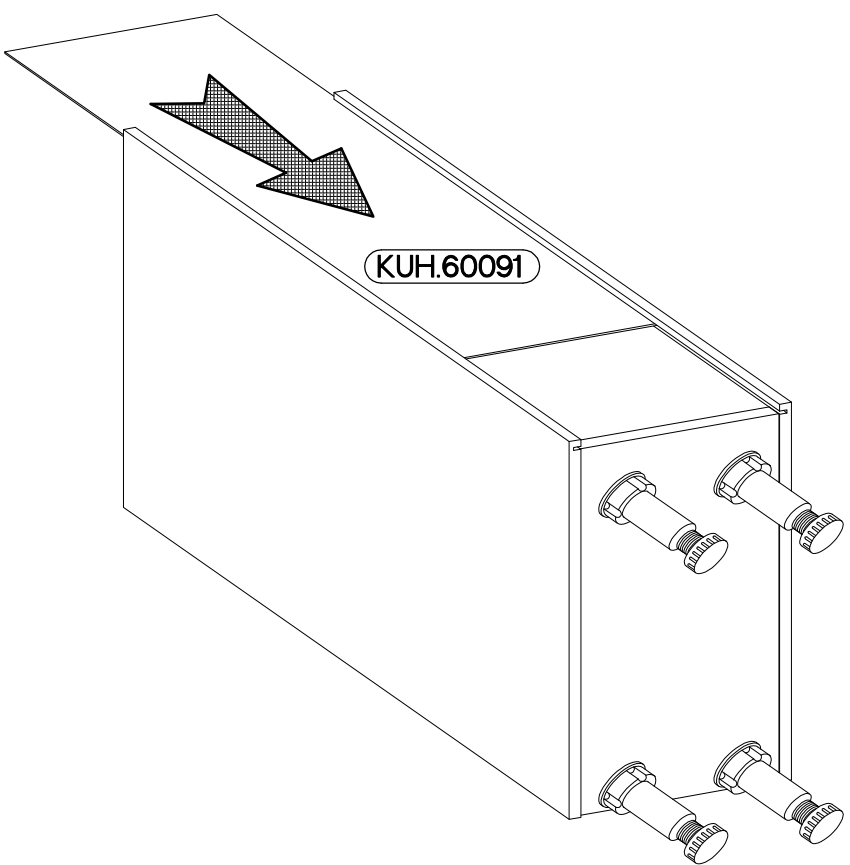
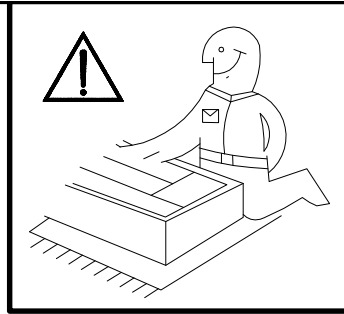
5

±3.0x20mm

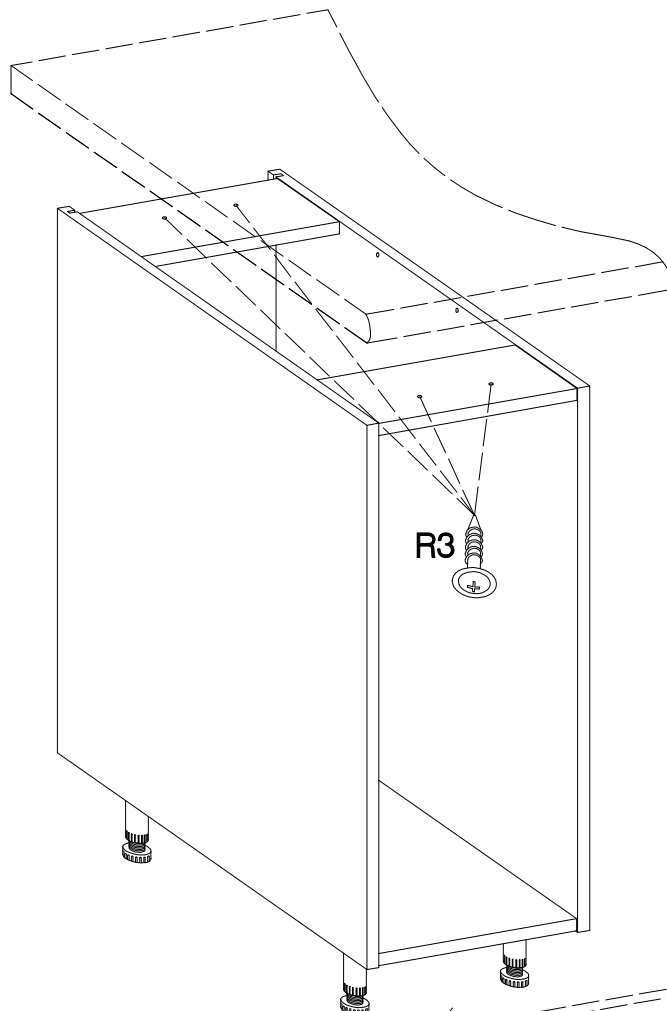


P7

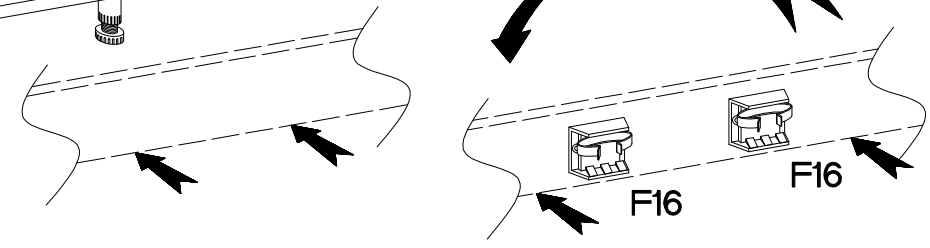
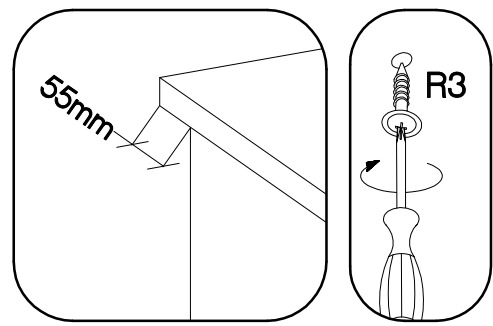
8-10



6



+4.0x35mm R3	F16	+3.5x13mm P5
4	2	4



1. F16 (Diagram showing the F16 clip being inserted into the cabinet's top edge.)
2. F16, P5 (Diagram showing a screwdriver being used to adjust the F16 clip, with a P5 screw being inserted into the side panel.)
3. F16 (Diagram showing the F16 clip being inserted into the cabinet's top edge.)
4. F16 (Diagram showing the F16 clip being inserted into the cabinet's top edge.)

7

FRONT

